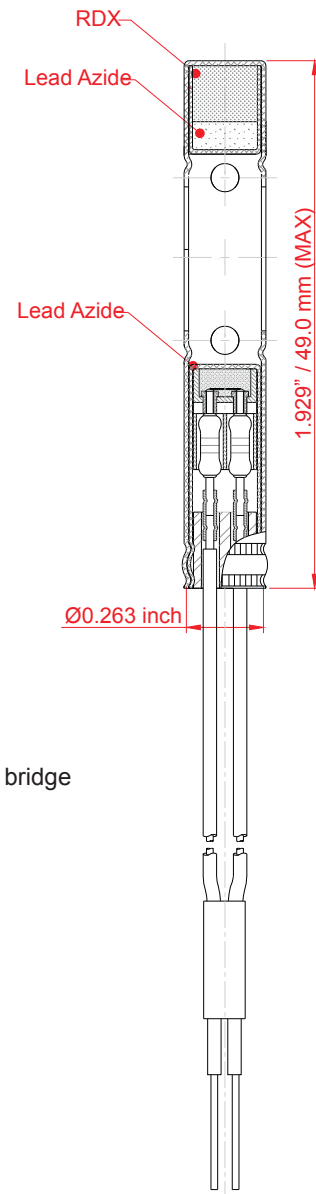


RJ-210

High Temperature Fluid Disabled Electric Detonator

Detonator Specifications

| | |
|---------------------------|--|
| Nominal Base Charge | 5.4 grain (350 mg) RDX output charge |
| Initiating Charge | 1.4 grain (90 mg) Lead Azide |
| Shell Material | Aluminum |
| Shell Diameter | 0.263" (6,7 mm) max. |
| Shell Length | 1.929" (49 mm) max. |
| Plug | Rubber (black) |
| Leg Wires | 1.36 feet length (0,45 m) copper wire gauge 22 (0,57 mm) Zitel™ red insulated |



Firing Specifications

| | |
|------------------------------|--|
| Temperature Rating | 340°F (170°C) @ 1 hour |
| All Fire Current | 800 mA |
| No Fire Current | 250 mA@ 5 minutes |
| ESD Pin to Pin..... | 25 KvDC@500 pF x 5 Kohm |
| ESD Pins to Case..... | 25 KvDC@500 pF |
| HIPOT Test Pins to Case..... | 100%, 0-5 kvDC, 7.5 mA |
| Resistor | Two 27 Ohm@1/2 Watt resistors in series with bridge wire |
| Resistance | Overall circuit resistance 50 Ω min, 58 Ω max |

Shipping Information

| | |
|------------------------------------|---|
| Propper Shipping Name | Detonators, Electric, UN 0255, PG II, Class 1.4B |
| Part Number | RJ-210 |
| Ex-number | |
| Quantity | 50 Electric Detonators per fiberboard box |
| Package Size | 14" x 14" x 7" (358 x 358 x 179 mm) |
| Volume | 0.81 ft ³ (0,022 m ³) |
| Gross Weight | 5.95 lb (2,70 kg) |
| Net Weight | 1.21 lb (0,55 kg) |
| Net Weight Explosive Content | 339 grains (0,022 kg) |



RJC Defesa e Aeroespacial Ltda



Distributed by: Petro-Explo, Inc. (800) 588-82828